

- For can line mounting
- Stainless steel
- Can be combined with HM8 or HM9



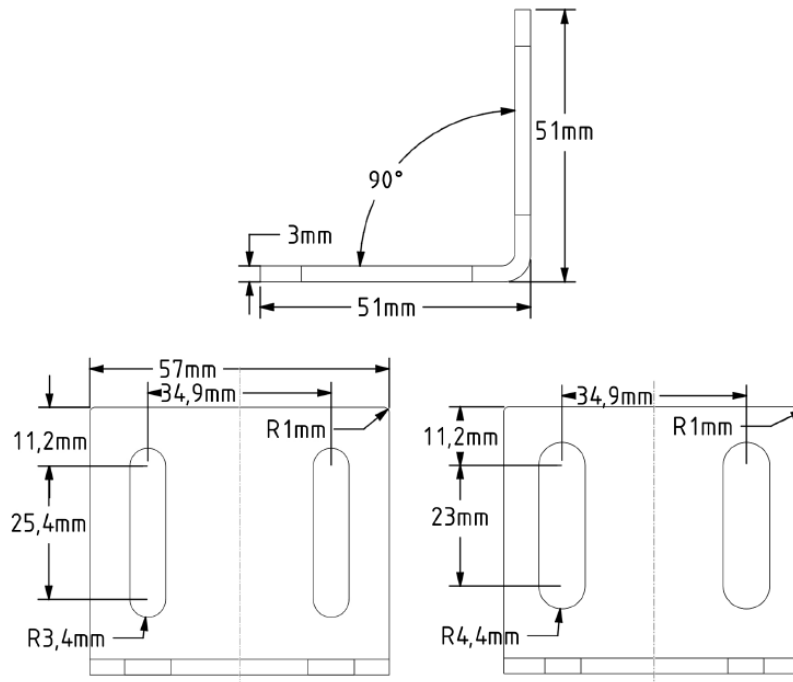
Product Characteristics

Type	HM7
Art.-No.	9816G
Application	In combination with HM8 or HM9 for mounting can sensors on canning lines

Technical Data

Material	stainless steel
----------	-----------------

Dimension (mm)



Accessories (in scope of supply)

	Type	Art.-No.
Fastening screw M6 x 16, stainless steel (2 pieces)	-	-
Nut M6, stainless steel (2 pieces)	-	-

Accessories (not in scope of supply)

	Type	Art.-No.
Mounting bracket for sensor DKU/IKU 008	HM8	9816H
Mounting bracket for sensor IKU 010, DKU/IKU 011, DKU/IKU 015, DLU 001	HM9	9816I

Further Information

	Document
-	-

Installation Examples