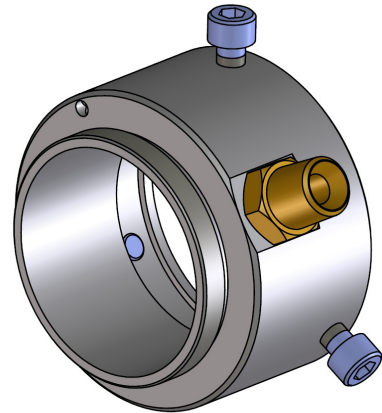


Air purge unit with air connection for lens cleaning usable with light barrier and infrared sensor, with M55 thread for optionally Protection tubes.



### Technical Data

<b>Type</b>	<b>OL 34</b>
Art.-No	9828Q
useable with	OKA, OAA/D, LAA, LSA, LRA, LTA,
hose connection	1/4"
air pressure max.	0,3 bar
air consumption	60 l/min (0,15 bar)
Material	Stainless steel
dry, clean air (oil and dust free)	

