

- For optical sensors with housing Ø 57 mm
- Spot size narrowing
- Detection of smaller objects with light barriers
- Protecting the optics from thermal radiation
- Stainless steel



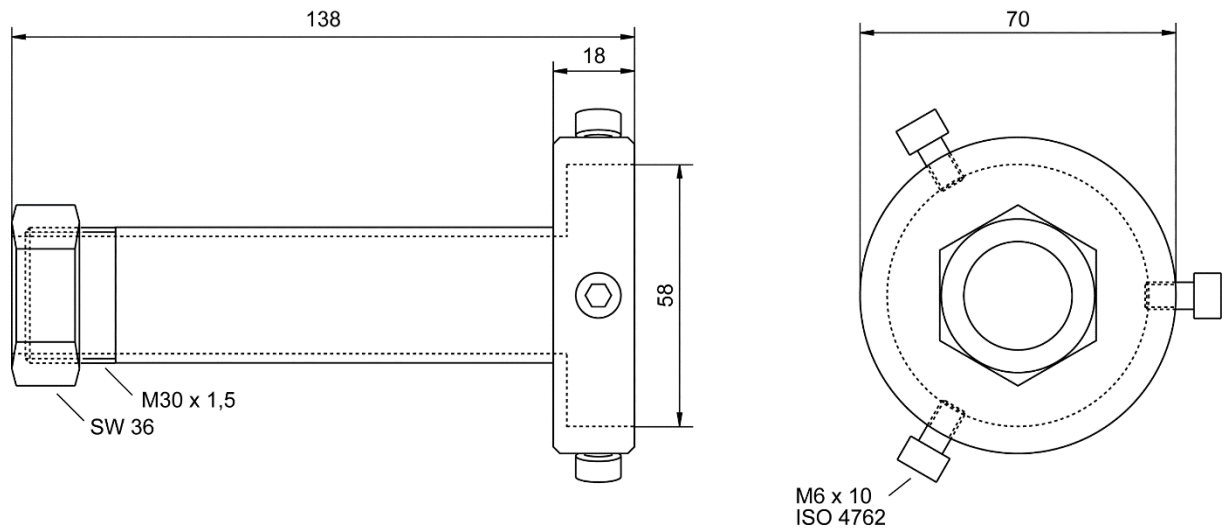
Product Characteristics

Type	OL19
Art.-No.	9828A
Application	Spot size narrowing of optical sensors with housing Ø 57 mm

Technical Data

Material	stainless steel
----------	-----------------

Dimension (mm)



Accessories (in scope of supply)

	Type	Art.-No.
Aperture set with 1x pinhole 8 mm and 1x 4 mm opening, made of PTFE	BLS1	9809D

Accessories (not in scope of supply)

	Type	Art.-No.
-	-	-

Further Information

	Document
Manual	BDA_Tubus_D_E