

- For sensors with optical fiber cable
- View angle 22°
- Material stainless steel Ø 25 mm
- Ambient temperature up to 290 °C



**Product Characteristics**

<b>Type</b>	<b>OACF 671</b>
<b>Art.-No.</b>	<b>6037H</b>
<b>Application</b>	For sensors with fiber optic cable

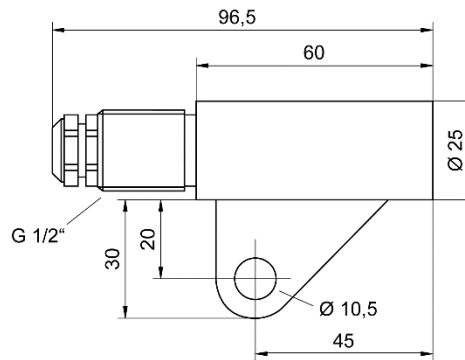
**Technical Data**

<b>View angle</b>	22°
<b>Ambient temperature</b>	-30 ... +290 °C
<b>Material</b>	stainless steel

**Optic**

<b>Measurement distance a [m]</b>	0	1	2	3	4	5
<b>Spot diameter M [mm] with LLK</b>	23	380	765	1150	1535	1920

**Dimension (mm)**



**Accessories** (in scope of supply)

	Type	Art.-No.
-	-	-

**Accessories** (not in scope of supply)

	Type	Art.-No.
Swivel stand	HM 4	9816D
Pilot light attachment for alignment	DAK 308	6913G
Adapter for Pilot light attachment	OL 28	9828K
Air purge attachment	OL 44	9829B
Appropriate protection sets for fiber optic cable available		

**Further information**

	Document
-	-