



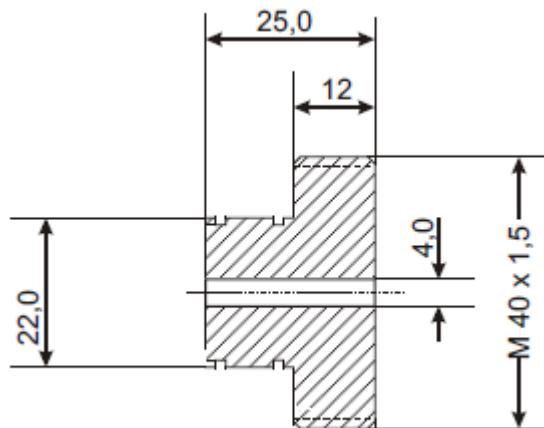
Product Characteristics

Typ	OL 28
Art.-Nr.	9828K
Application	Adapter for DAK 308 on OAC, OCAF OAF

Technical Data

length	25 mm
internal thread	M40x1,5
Material	stainless steel
Weight	0,15 kg

Dimension (mm)



Accessories (not in scope of supply)

Type	Art.-No.
-	-

Further information

Document
-