

- Temperature measuring -20 ... 900 °C
- Resolution 382 x 288 pixels
- Parameterization with software
- digital in.- output
- Motor focus



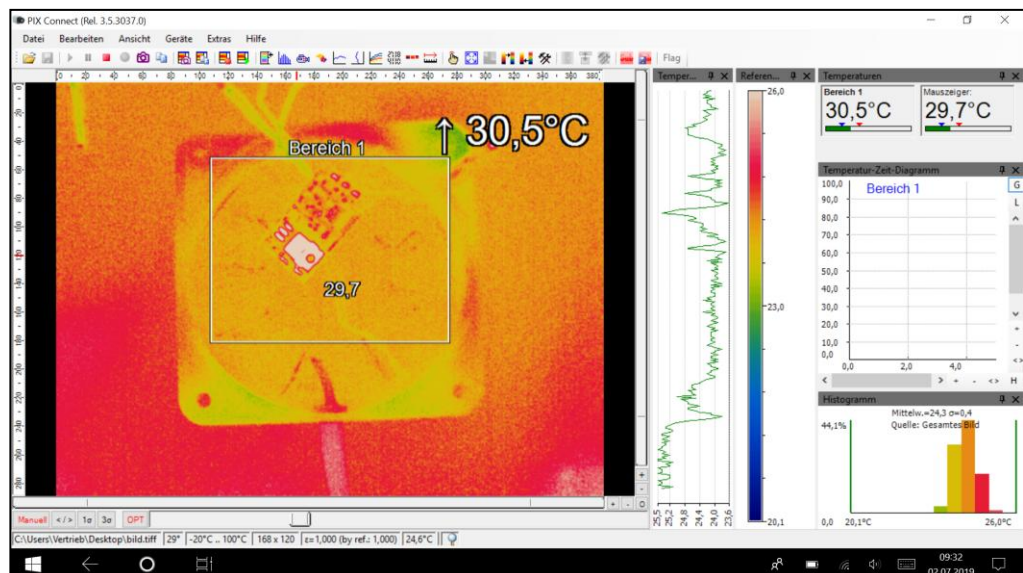
## Product Characteristics

Type	OMC XI400 F13
Art.-No.	6980B
Application	Non-contact area temperature control

## Technical Data

Measuring temperature range	-20 bis 100 °C / 0 bis 250 °C / 150 bis 900 °C
Spectral range	7,5 – 13 µm
Output	0 – 10 V
Measuring failure	+ 2,0 % or + 2,0 °C
Frame rate	80 Hz / 27 Hz
Image resolution	382 x 288 Pixel
Viewing angle	29° x 22°
Smallest object size	3 x 3 Pixel
Maximum and minimum value search	yes
Interface	USB 2.0
Supply voltage	via USB
Power consumption	max. 500 mA
Ambient temperature	0 ... +50 °C
Protection class	IP 67
Connection	plug
Supply voltage display	no
Housing material	Stainless steel
Weight	0,2 kg

## Software



**Optic**

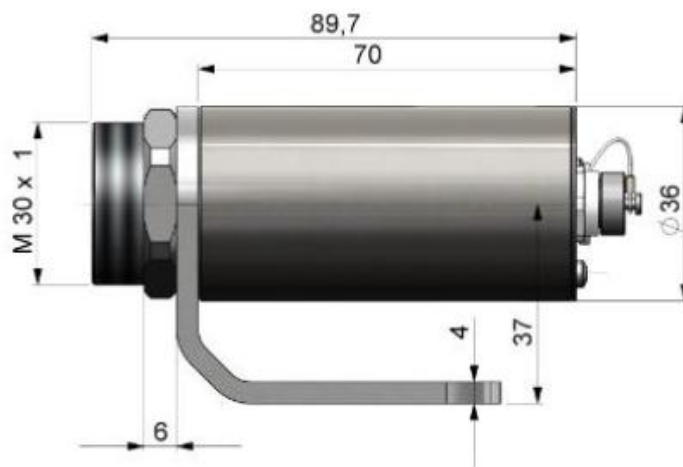
Focal length (mm)	Minimum measurement distance	Angle	Distance to measurement object (m)										
				0,2	0,3	0,5	1	2	4	6	10	30	100
13	0,2 m	29°	HFOV (m)*	0,104	0,16	0,26	0,53	1,06	2,11	3,17	5,3	15,9	52,9
		22°	VFOV (m)**	0,078	0,12	0,20	0,39	0,79	1,58	2,36	3,6	11,8	39,4
		1,34 mrad	IFOV (mm)***	0,263	0,4	0,7	1,3	2,7	5,4	8,1	13,4	40,3	134,4

\* HFOV: Horizontal enlargement of the total measuring at object area  
 \*\* VFOV: Vertical enlargement of the total measuring at object area  
 \*\*\* IFOV: Size at the single pixel at object area

**Connection**



**Dimension (mm)**



**Accessories** (in scope of supply)

- Mounting bracket
- USB cable 1m
- Connecting cable 1m with terminal block for in.- and output
- Software

**Accessories** (not in scope of supply)

---

Blow attachment

---

Interface adapter for Smartphone App

---

Further accessories available

---

**Further information**

---

	Document
Manual	BDA_OMC_XI_D/E

---