

- Temperature measuring -20 ... 900 °C
- Resolution 382 x 288 pixels
- Parameterization with software
- Digital in.- output
- Motor focus



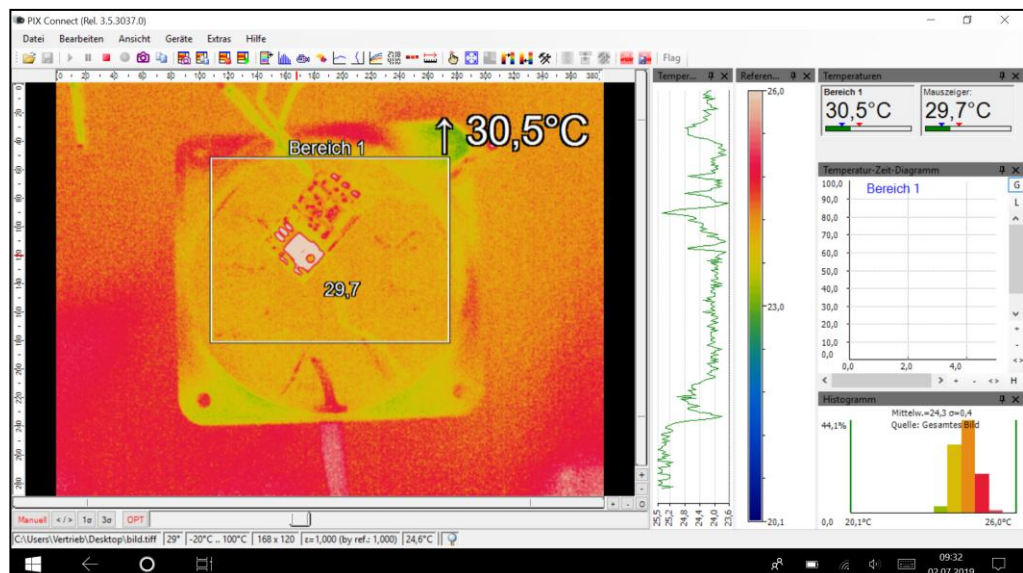
Product Characteristics

Type	OMC XI400 F06
Art.-No.	6980A
Application	Non-contact area temperature control

Technical Data

Measuring temperature range	-20 bis 100 °C / 0 bis 250 °C / 150 bis 900 °C
Spectral range	7,5 – 13 µm
Output	0 – 10 V
Measuring failure	+ 2,0 % or + 2,0 °C
Frame rate	80 Hz / 27 Hz
Image resolution	382 x 288 Pixel
Viewing angle	80 x54°
Smallest object size	3 x 3 Pixel
Maximum and minimum value search	yes
Interface	USB 2.0
Supply voltage	via USB
Power consumption	max. 500 mA
Ambient temperature	0 ... +50 °C
Protection class	IP 67
Connection	plug
Supply voltage display	no
Housing material	Stainless steel
Weight	0,2 kg

Software



Optic

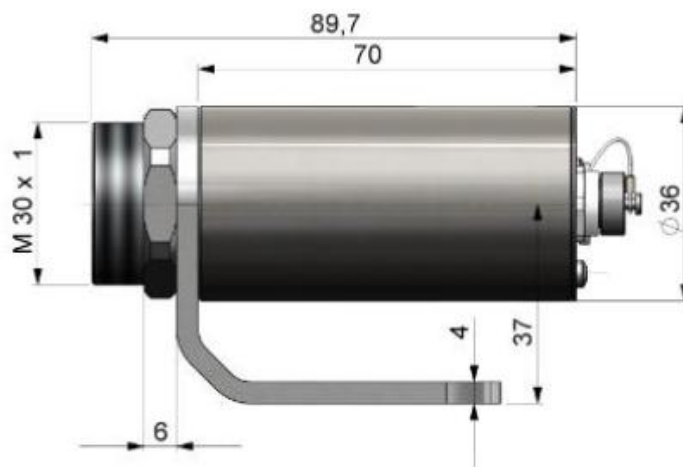
Focal length (mm)	Minimum measurement distance	Angle	Distance to measurement object (m)										
				0,2	0,3	0,5	1	2	4	6	10	30	100
6	0,2 m	80°	HFOV (m)*	0,3	0,46	0,78	1,57	3,14	6,29	9,43	15,7	47,3	157,7
		54°	VFOV (m)**	0,2	0,3	0,51	1,01	2,03	4,06	6,10	10,2	30,5	101,7
		3.01 mrad	IFOV (mm)***	0,6	0,9	1,5	3,0	6,0	12,0	18,1	30,1	90,3	300,9

* HFOV: Horizontal enlargement of the total measuring at object area
 ** VFOV: Vertical enlargement of the total measuring at object area
 *** IFOV: Size at the single pixel at object area

Connection



Dimension (mm)



Accessories (in scope of supply)

- Mounting bracket
- USB cable 1m
- Connecting cable 1m with terminal block for in.- and output
- Software

Accessories (not in scope of supply)

Blow attachment

Interface adapter for Smartphone App

Further accessories available

Further information

Manual

Document

BDA_OMC_XI_D/E
